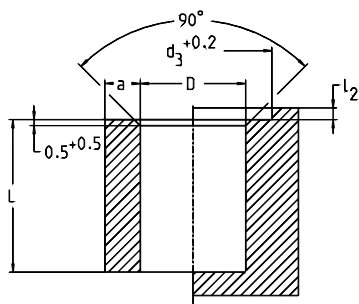


# QUICKSERT®

Brass | Type 1434 | standard

**Advantages:**

- For brittle and ductile plastics such as unsaturated polyester resins (SMC, ZMC), polyurethane and glass-fibre reinforced thermoplastics
- Universal use
- High-strength and torsion-proof threads
- Optimum assembly characteristics



Diameter (d)	Article number	Length (l) nominal size	a min.	Outer diameter (d2)	L min.
M 3	14345030006	6	2	6	7
M 4	14345040008	8	3	7	9
M 5	14345050010	10	4	8	11
M 6	14345060014	14	4	10	15
M 8	14345080015	15	5	12	16
M 10	14345100018	18	5	14	19

All technical data refer to the measure mm

